

Registration No. \_\_\_\_\_

ETPM DIP/HYD/21-02-21

**Theme**

**Correct Clevis Pin Fitting**

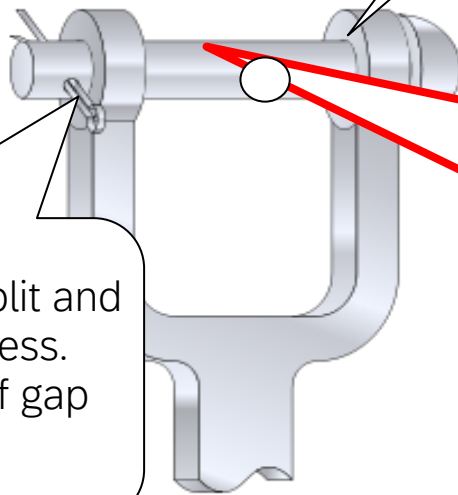
Posting expires:  
**Basic knowledge**  
 Problem case examples  
 Improvement case examples

This is called a clevis. It allows partial rotation but restricted lateral movement. This is used as a joint.



The clearance between the bolt and the hole should be very low to avoid wear.

The space between the split and the clevis should be very less. Sized washer to be used if gap is wide.



Never use a bolt instead of a pin with a split pin hole. Bolts are for tension load..



- 1: After fixing the pin and washer (if required) insert the split pin and bent both ends with a plier. Never use welding rod.
- 2: Never fit a loose or long pin.



Correspondence courses																								
Who																					TPMG	Manager	Incharge	Created by
To Whom																								
Evaluation of skill	4	1	4	1	4	1	4	1	4	1	4	1	4	1	4	1	4	1	4	1	Created by			
	3	2	3	2	3	2	3	2	3	2	3	2	3	2	3	2	3	2	3	2				
Date	/	/	/	/	/	/	/	/	/	/	/	/	/	/	/	/	/	/	/	/				

Evaluation of skill - 1. Does not understand 2. Understand intellectually 3. Can perform to some extent 4. Can perform with confidence

Circle  
Section  
Subsection

Name  
Date created