

Registration No. \_\_\_\_\_

ETPM DIP/ME/03-03-21

**Theme**

**Correct Lock Washer Fitting**

Posting expires:  
**Basic knowledge**  
 Problem case examples  
 Improvement case examples

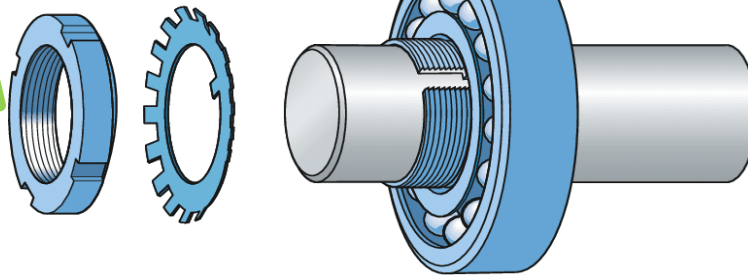
This is called a bearing lock washer . It prevents the bearing locking nut from nut from loosening.



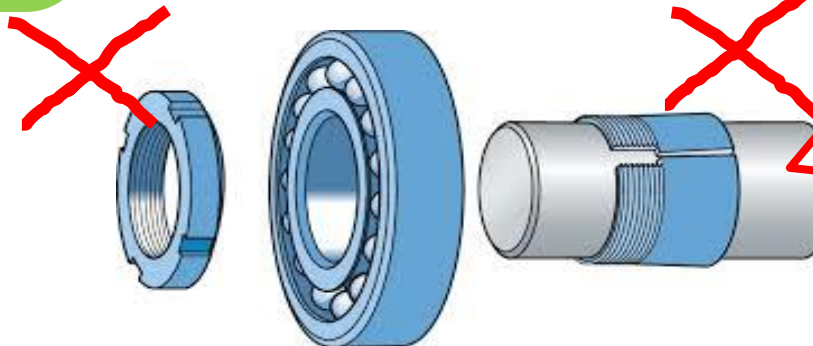
Bearing Lock Washers and Lock Nuts

This is called a bearing lock nut. This locks the bearing on the shaft journal and prevents from coming out.

Correct way of using a bearing lock nut, lock washer and sleeve.



Never use a lock nut without the lock washer . The Lockwasher locks the nut with the sleeve.



Correspondence courses																									
Who																					TPMG	Manager	Incharge	Created by	
To Whom																									
Evaluation of skill	4	1	4	1	4	1	4	1	4	1	4	1	4	1	4	1	4	1	4	1	4	1	Created by		
	3	2	3	2	3	2	3	2	3	2	3	2	3	2	3	2	3	2	3	2	3	2			
Date	/	/	/	/	/	/	/	/	/	/	/	/	/	/	/	/	/	/	/	/	/	/			

Evaluation of skill - 1. Does not understand 2. Understand intellectually 3. Can perform to some extent 4. Can perform with confidence

Circle  
 Section  
 Subsection  
  
 Name  
 Date created